

HRT
FUZE

www.himel.com

LOW VOLTAGE DISTRIBUTION

HRT16 Fuse with Blade Contacts Fuse-link

Standard: IEC60269

Range Presentation

- HRT16: Knife-shape Fuses

Features

- ◆ For HRT16 series
 - 5 sizes of "gG" fuse link 000, 00, 1, 2, 3
 - High breaking capacity 120kA
 - Wide current range from 2A up to 630A
 - Rated voltage 500Va.c, 690Va.c, 250Vd.c, 440Vd.c
 - Situated for standard HRT16 fuse base

Online Content



HRT16

HRT16 Selection Code

Model	Fuse-link Type	Rated Operating current
HRT16	000S	100
HRT16: HRT16 Fuse link	000S: HRT16 -00C 00: HRT16 -00 1: HRT16 -1 2: HRT16 -2 3: HRT16 -3	2: 2A 4: 4A 6: 6A ... 450: 450A 500: 500A 630: 630A
HRT16: HRT16 Fuse Base	00: rated current is 160A 1: rated current is 250A 2: rated current is 400A 3: rated current is 630A	ZS: Resin Material



Accessory	Usage	Reference
Fuse puller	To Assemble and replace HRT16	HRT16C

Technical Parameters of Fuse link

Product Series	HRT16000S	HRT1600	HRT161	HRT162	HRT163
Other Business Model	NH000	NH00	NH1	NH2	NH3
Rated Current	2-100A	2-160A	80-250A	125-400A	315-630A
Rated operating voltage	AC500/690V/DC250	AC500/690V/DC250	AC500/690V/DC440	AC500/690V/DC440	AC500/690V/DC440
Rated breaking capacity	120/50/100kA	120/50/100kA	120/50/100kA	120/50/50kA	120/50/50kA
Rated Power dissipation Max.	12w	12w	32w	45w	60w
Breaking range and Utilization category	gG				

LOW VOLTAGE DISTRIBUTION

HRT16 Fuse with Blade Contacts Fuse-link

Standard: IEC60269

Fuse Link Order Information

Size	Rated Current In (A)	Suitable fuse base	Weight (g)	Reference
000	2	HRT16-00	123	HRT16000S2
	4			HRT16000S4
	6			HRT16000S6
	8			HRT16000S8
	10			HRT16000S10
	12			HRT16000S12
	16			HRT16000S16
	20			HRT16000S20
	25			HRT16000S25
	32			HRT16000S32
	40			HRT16000S40
	50			HRT16000S50
	62			HRT16000S63
	80			HRT16000S80
	100			HRT16000S100
00	2	HRT16-00	170	HRT16002
	4			HRT16004
	6			HRT16006
	8			HRT16008
	10			HRT160010
	12			HRT160012
	16			HRT160016
	20			HRT160020
	25			HRT160025
	32			HRT160032
	40			HRT160040
	50			HRT160050
	63			HRT160063
	80			HRT160080
	100			HRT1600100
	125			HRT1600125
	160			HRT1600160
1	80	HRT16-1	450	HRT16180
	100			HRT161100
	125			HRT161125
	160			HRT161160
	200			HRT161200
	250			HRT161250
2	125	HRT16-2	660	HRT162125
	160			HRT162160
	200			HRT162200
	250			HRT162250
	300			HRT162300
	315			HRT162315
	355			HRT162355
	400			HRT162400

LOW VOLTAGE DISTRIBUTION

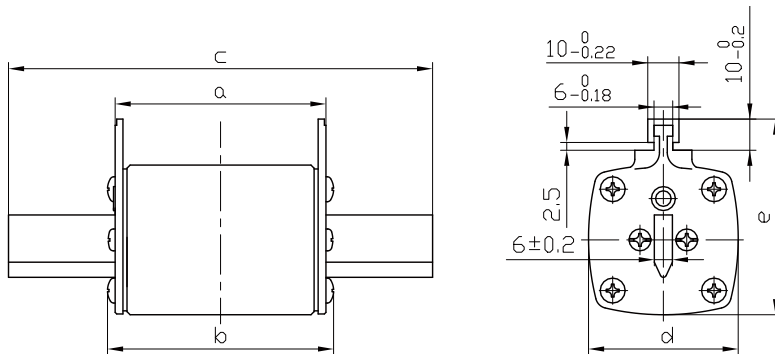
HRT16 Fuse with Blade Contacts Fuse-link

Standard: IEC60269

Fuse Base Order Information

Size	Rated Current In (A)	Suitable fuse base	Weight (g)	Reference
3	315	HRT16-3	850	HRT163315
	355			HRT163355
	400			HRT163400
	450			HRT163450
	500			HRT163500
	630			HRT163630

Fuse Link Overall Dimensions



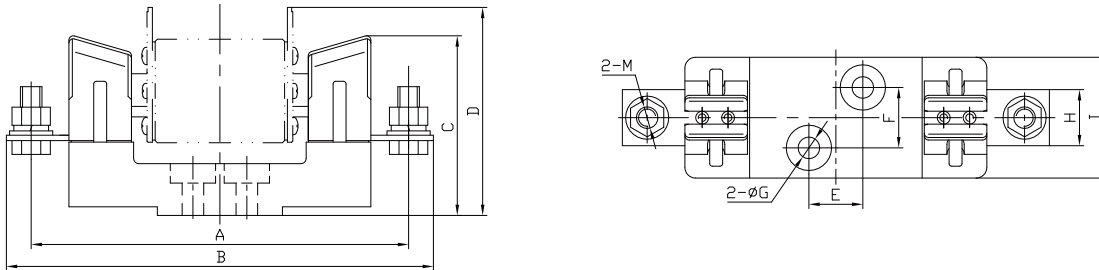
Dimension	HRT16-000S	HRT16-00	HRT16-1	HRT16-2	HRT16-3
a	49	49	67	67	67
b	54	54	72	72	72
c	78	78.5	136	150	150
d	21	29	48	59	67
e	53	57	62	73	85

LOW VOLTAGE DISTRIBUTION

HRT16 Fuse with Blade Contacts Fuse-link

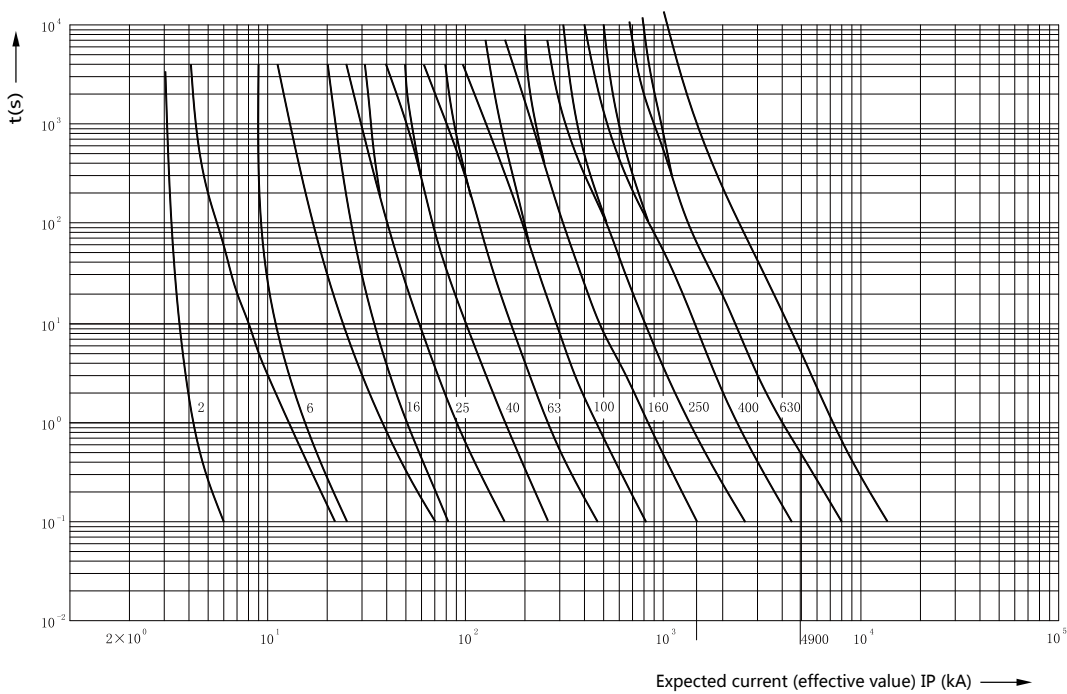
Standard: IEC60269

Fuse Base Overall Dimensions



Dimension	HRT16-00	HRT16-1	HRT16-2	HRT16-3
a	102	175	200	260
b	122	198	225	248
c	60	83	96	104
d	82	96	116	126
e	25	25	25	25
f	-	28	28	28
g	8	11	11	11
h	25	26	30	39
i	30	56	61	61
m	M8	M10	M10	M12

Time Current Characteristic Curve



LOW VOLTAGE DISTRIBUTION

HRT18 Fuse with Cylindrical Contacts Fuse-link

Standard: IEC60269

Range Presentation

- HRT18: Cylinder Cap-shape Fuses

Features

- ◆ For HRT18 series
 - The rating is between 2A to 63A, total 13 ratings
 - Two kinds of materials for fuse holders: Resin and Nylon
 - Indicator can be a option for customers

Online Content



HRT18

HRT16 Selection Code

Range name	Fuse-link Type	Rated operating current
HRT18	1038	2
HRT18 :HRT18 Fuse link	1038 : maximum rating is 32A 1451 : maximum rating is 63A	2 : 2A 4 : 4A ... 63 : 63A



Range name	Fuse-link Type	Pole number	Indicator	Material
HRT18	32Z	2	X	B
HRT18 :HRT18 Fuse Holder	32Z : 32A holder 63Z : 63A holder	Default : 1P 2 : 2P 3 : 3P	Default : Without indicator X : With indicator	Default : Nylon (only available for 32A holder) B : Resin



Technical Parameters of Fuse link

Product Series	HRT181038	HRT181451
Rated Current	2-32A	2-63A
Rated operating voltage	AC380/AC500	AC380/AC500
Rated breaking capacity	100kA	100kA
Rated Power dissipation max.	3w	5w
Breaking range and Utilization category	gG	

LOW VOLTAGE DISTRIBUTION

HRT18 Fuse with Cylindrical Contacts Fuse-link

Standard: IEC60269

Fuse Link Order Information

Cylindrical Fuse	Rated Current In(A)	Weight (g)	Reference
HRT18-32	2	8	HRT1810382
	4		HRT1810384
	6		HRT1810386
	8		HRT1810388
	10		HRT18103810
	12		HRT18103812
	16		HRT18103816
	20		HRT18103820
	25		HRT18103825
	32		HRT18103832
HRT18-32	2	20	HRT1814512
	4		HRT1814514
	6		HRT1814516
	8		HRT1814518
	10		HRT18145110
	12		HRT18145112
	16		HRT18145116
	20		HRT18145120
	25		HRT18145125
	32		HRT18145132
	40		HRT18145140
	50		HRT18145150
	63		HRT18145163

Fuse Holder Order Information

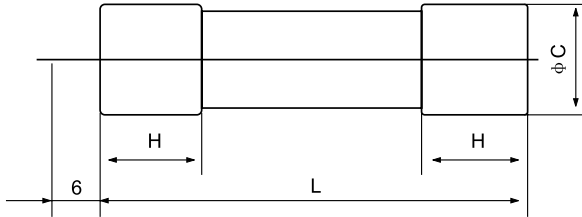
Fuse Holder	Pole	Rated Current In(A)	Note	Weight(g)	Reference
HRT18-32X	1P	32	Material: Resin	82	HRT1832ZXB
	2P		With indicator		HRT1832Z2XB
	3P				HRT1832Z3XB
HRT18-32	1P	32	Material: Resin	82	HRT1832ZB
	2P		Without indicator		HRT1832Z2B
	3P				HRT1832Z3B
HRT18-32X	1P	32	Material: Nylon	82	HRT1832ZX
	2P		With indicator		HRT1832Z2ZX
	3P				HRT1832Z3ZX
HRT18-32	1P	32	Material: Nylon	82	HRT1832Z
	2P		Without indicator		HRT1832Z2
	3P				HRT1832Z3
HRT18-63X	1P	63	Material: Resin	206	HRT1863ZXB
	2P		With indicator		HRT1863Z2XB
	3P				HRT1863Z3XB
HRT18-63	1P	63	Material: Resin	206	HRT1863ZB
	2P		Without indicator		HRT1863Z2B
	3P				HRT1863Z3B

LOW VOLTAGE DISTRIBUTION

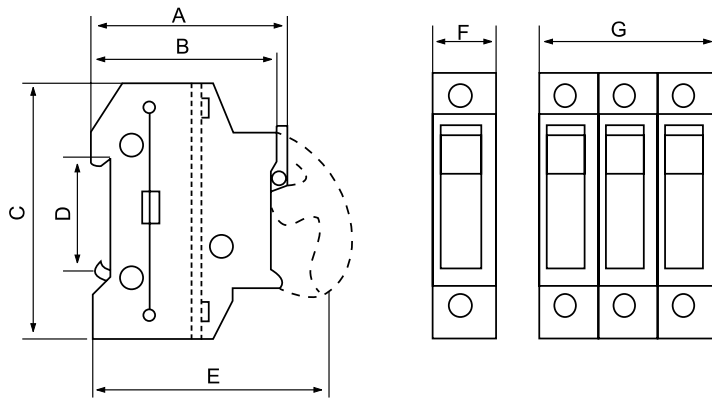
HRT18 Fuse with Cylindrical Contacts Fuse-link

Standard: IEC60269

Overall Dimensions



Type	Size	L	C	Hmax
HRT18-32	10x38	38±0.6	10.3±0.1	10.5
HRT18-63	14x51	51 ^{+0.6} _{-1.0}	14.3±0.1	13.8



Type	A	B	C	D	E	F	G
HRT18-32	63	60	79	35	80	18	54
HRT18-63	78	76	103	35	110	25	75



Contact us



Get in touch with Himel Team at <https://www.himel.com/contact-us>



Find a Local Himel Distributor at <https://www.himel.com/find-a-distributor>



Reach Himel Global Team at support@himel.com



Contact Global Himel Marketing and Communication Team at sm.himel.communications@himel.com



Visit Himel website at
<https://www.himel.com>
or
Scan QR Code ▼



Learn More about Himel's
15-Years of Value Engineering
Excellence
Scan QR Code ▼

